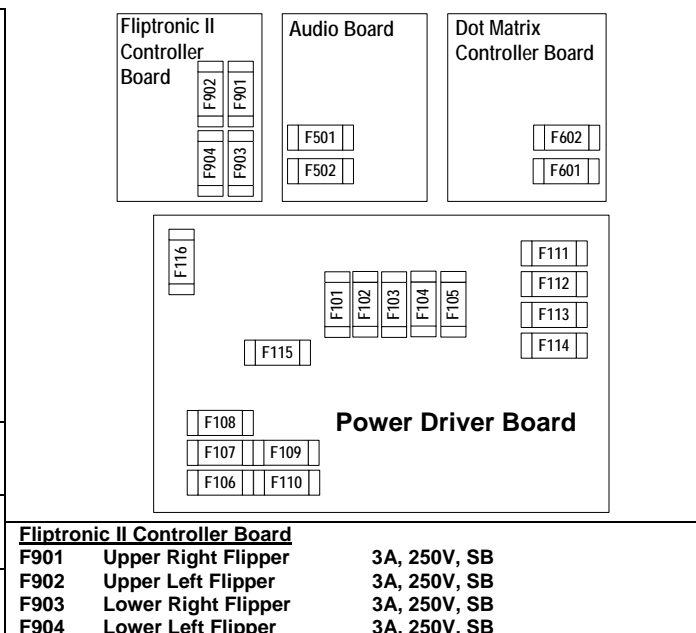


FUSE LIST

FUSE LIST table containing sections for Power Driver Board, Audio Board, Dot Matrix Controller Board, and Line Filter with their respective specifications.



SOLENOID/FLASHER TABLE

SOLENOID/FLASHER TABLE with columns for Sol No., Function, Solenoid Type, Voltage Connections, Drive Xistor, Drive Connections, Drive Wire Color, Solenoid Part Number, and Flashlamp Type.

LAMP MATRIX

LAMP MATRIX table showing 8 columns and 8 rows of lamp configurations with color-coded headers (Yellow-Brown, Yellow-Red, Yellow-Orange, Yellow-Black, Yellow-Green, Yellow-Blue, Yellow-Violet, Yellow-Gray).

J1XX = Power Driver Board

SWITCH MATRIX

SWITCH MATRIX table with columns for DEDICATED GROUNDED SWITCHES, Column (1-8), and FLIPPER GROUNDED SWITCHES, including switch functions and row labels (D1-D8).

J2XX = CPU Board [ ] = OPTO, TYPICALLY CLOSED