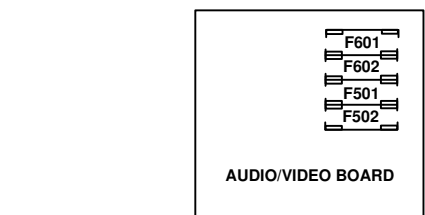


SCARED STIFF (50048)

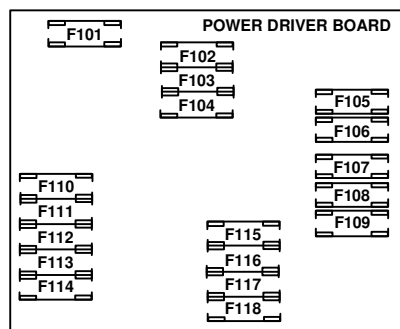
FUSE LIST

POWER DRIVER BOARD		
F101	Regulated 12V	T0.63A, 250V
F102	Solenoids #9 to #16	T4.0A, 250V
F103	Solenoids #1 to #8	T4.0A, 250V
F104	Solenoids #25 to #28	T4.0A, 250V
F105	+5V Logic	T4.0A, 250V
F106	+18V Lamp Matrix	T5.0A, 250V
F107	Flasher Secondary	T4.0A, 250V
F108	Solenoid Secondary	T6.3A, 250V
F109	Unregulated 12V	T4.0A, 250V
F110	G.I. #5 White-Violet	T4.0A, 250V
F111	G.I. #4 White-Green	T4.0A, 250V
F112	G.I. #3 White-Yellow	T4.0A, 250V
F113	G.I. #2 White-Orange	T4.0A, 250V
F114	G.I. #1 White-Brown	T4.0A, 250V
F115	+50V Flippers	T4.0A, 250V
F116	+50V Flippers	T4.0A, 250V
F117	+50V Flippers	T4.0A, 250V
F118	+50V Flippers	T4.0A, 250V



CAUTION: FOR CONTINUED PROTECTION AGAINST RISK OF FIRE, REPLACE ONLY WITH THE SAME TYPE OF FUSE HAVING THE SAME ELECTRICAL RATINGS.

AUDIO/VIDEO BOARD		
F501	-25V	T2.5A, 250V
F502	+25V	T2.5A, 250V
F601	+62V	T0.25A, 250V
F602	-113V & -125V	T0.25A, 250V



LINE FILTER	
Foreign	T4.0A, 250V
Domestic	T5.0A, 250V

SOLENOID/FLASHER TABLE

Sol No.	Function	Solenoid Type	Voltage Connections			Drive Xistor	Drive Connections			Drive Wire Color	Solenoid/Flashlamp	
			Playfield	Backbox	Cabinet		Playfield	Backbox	Cabinet		Playfield	Backbox
01	AUTO PLUNGER	High Power	J133-2			Q72	J116-1			VIO-BRN	AE-23-800	
02	LOOP GATE	High Power	J133-2			Q68	J116-2			VIO-RED	A-14406	
03	RIGHT POPPER	High Power	J133-2			Q71	J116-4			VIO-ORG	AE-24-900	
04	COFFING POPPER	High Power	J133-2			Q67	J116-5			VIO-YEL	AE-23-800	
05	COFFIN DOOR	High Power	J133-2			Q70	J116-6			VIO-GRN	AE-26-1500	
06	CRATE KICKOUT	High Power	J133-2			Q66	J116-7			VIO-BLU	AE-24-900	
07	*KNOCKER	High Power		J133-2		Q69		J116-8		VIO-BLK		AE-23-800
08	CRATE POST POWER	High Power	J133-2			Q65	J116-9			VIO-GRY	FL-11629	
09	TROUGH EJECT	Low Power	J133-3			Q44	J113-1			BRN-BLK	AE-26-1500	
10	LEFT SLINGSHOT	Low Power	J133-3			Q48	J113-3			BRN-RED	AE-25-1000	
11	RIGHT SLINGSHOT	Low Power	J133-3			Q43	J113-4			BRN-ORG	AE-25-1000	
12	CENTER JET BUMPER	Low Power	J133-3			Q47	J113-5			BRN-YEL	AE-26-1200	
13	UPPER JET BUMPER	Low Power	J133-3			Q42	J113-6			BRN-GRN	AE-26-1200	
14	LOWER JET BUMPER	Low Power	J133-3			Q46	J113-7			BRN-BLU	AE-26-1200	
15	UPPER SLINGSHOT	Low Power	J133-3			Q41	J113-8			BRN-VIO	AE-26-1200	
16	CRATE POST HOLD	Low Power	J133-2			Q45	J114-9			BRN-GRY	FL-11629	
17	TOP JET FLASHER	Flasher	J133-6	J134-5		Q28	J111-1	J112-1		BLK-BRN	#555	#89
18	MIDDLE LEFT FLASHER	Flasher	J133-6	J134-5		Q32	J111-2	J112-2		BLK-RED	#555	#89
19	LOWER JET FLASHER	Flasher	J133-6	J134-5		Q27	J111-3	J112-3		BLK-ORG	#555	#89
20	PLAYFIELD BOLTS	Flasher	J133-6			Q31	J111-4			BLK-YEL	#89 (2)	
21	SKULL FLASHER LEFT	Flasher	J133-6			Q26	J111-5			BLU-GRN	#906	
22	UPPER RIGHT FLASHER	Flasher	J134-6			Q30	J111-6			BLU-BLK	#906	
23	LEFT RAMP FLASHER	Flasher	J134-6			Q25	J111-7			BLU-VIO	#906	
24	CENTER LEFT FLASHER	Flasher	J133-6			Q29	J111-8			BLU-GRY	#906	
25	SKULL FLASHER RIGHT	Gen. Purpose	J133-6			Q16	J109-1			BLU-BRN	#906	
26	CENTER TV	Gen. Purpose	J133-6	J134-5		Q15	J109-2	J107-3		BLU-RED	#906	#89
27	UPPER LEFT FLASHER	Gen. Purpose	J133-6			Q14	J109-3			BLU-ORG	#906	
28	CENTER RIGHT FLASHER	Gen. Purpose	J133-6			Q13	J109-4			BLU-YEL	#906	
33	LEFT DIVERTER POWER	High Power	J119-6.7			Q84	J120-6			YEL-VOI	A-20099	
34	RIGHT DIVERTER HOLD	Low Power	J119-6.7			Q86	J120-4			ORG-VIO	A-20099	
35	LOWER LEFT FLASHER	High Power	J133-6			Q81	J120-3			YEL-GRY	#906	
36	LOWER RIGHT FLASHER	Low Power	J133-6			Q83	J120-1			ORG-GRY	#906	
37	**AUX LAMP CLOCK	L.P.D.C.	J141-2				J110-1			BRN-WHT	A-20781	
38	**AUX LAMP DATA	L.P.D.C.	J141-2				J110-3			ORG-WHT	A-20781	
39	*SPIDER WHEEL 1 (1.8V)	L.P.D.C.		J141-2				J110-4		YEL-WHT		14-8024
40	*SPIDER WHEEL 2 (1.8V)	L.P.D.C.		J141-2				J110-5		GRN-WHT		14-8024

General Illumination

01	UPPER PLAYFIELD	G.I.	J105-1			Q5	J105-7			WHT-BRN	#44	
02	CENTER PLAYFIELD	G.I.	J105-2			Q4	J105-8			WHT-ORG	#44	
03	LOWER PLAYFIELD	G.I.	J105-3			Q3	J105-9			WHT-YEL	#44	
04	+ILLUMINATION STRING 4	G.I.		J106-7				J106-10		WHT-GRN		#44
05	+ILLUMINATION STRING 5	G.I.		J106-6				J106-11		WHT-VIO		#44

Flipper Circuits

Sol No.	Function	Power	Voltage Connection		Drive Xistors		Drive Connections		Drive Wire Colors		Coil Part No.	Coil Colors
			Playfield	Backbox	Power	Hold	Playfield	Backbox	Power	Hold		
29			J119-1 (RED-GRN)		Q90		J120-13		YEL-GRN		FL-11629	BLUE
30	LOWER RIGHT FLIPPER	Hold	J119-1 (RED-GRN)		Q92		J120-11		ORG-GRN			
31			J119-4 (RED-BLU)		Q67		J120-9		YEL-BLU		FL-11629	BLUE
32	LOWER LEFT FLIPPER	Hold	J119-4 (RED-BLU)		Q69		J120-7		ORG-BLU			
33			J119-6 (RED-VIO)		Q84		J120-6		YEL-VIO		SEE	ABOVE
34	UPPER RIGHT FLIPPER	Hold	J119-6 (RED-VIO)		Q86		J120-4		ORG-VIO		SEE	ABOVE
35			J119-8 (RED-GRY)		Q81		J120-3		YEL-GRY		SEE	ABOVE
36	UPPER LEFT FLIPPER	Hold	J119-8 (RED-GRY)		Q83		J120-1		ORG-GRY			

J1xx = Power Driver Board; L.P.D.C = Lower Power Device Controls
+ These G.I. strings do not brighten and dim, they are always ON. * Located in Backbox **Located under Playfield

LAMP MATRIX

Column	Yellow (B+) → Red							
	1 Yellow-Brown J121-1 Q96	2 Yellow-Red J121-2 Q100	3 Yellow-Orange J121-3 Q95	4 Yellow-Black J121-4 Q99	5 Yellow-Green J121-5 Q94	6 Yellow-Blue J121-6 Q98	7 Yellow-Violet J121-7 Q93	8 Yellow-Grey J121-8 Q97
1 Red-Brown J125-1 Q104	STIFF LEVEL 7	STIFF LEVEL 8	CRATE LEFT EYE	LEFT LEAPER	RAMP ITEM	LABORATORY ITEM	WEB AWARD 7	WEB AWARD 15
2 Red-Black J125-2 Q108	STIFF LEVEL 6	STIFF LEVEL 9	CRATE CENTER LEFT	LEFT RAMP JACKPOT	COFFIN MULTIBALL ITEM	CRATE ITEM	WEB AWARD 8	WEB AWARD 16
3 Red-Orange J125-4 Q103	STIFF LEVEL 5	SCARED STIFF	CRATE CENTER RIGHT	LIGHT LOCK	LEAPER ITEM	SKULL ITEM	WEB AWARD 9	WEB AWARD 1
4 Red-Yellow J125-5 Q107	STIFF LEVEL 4	CENTER LEAPER	CRATE RIGHT EYE	RAMP RIGHT EYE	COFFIN SPOTLIGHT	WEB AWARD 2	WEB AWARD 10	LEFT SKULL LANE
5 Red-Green J125-6 Q102	STIFF LEVEL 3	THREE BANK LOWER	LEFT OUTLANE	RIGHT OUTLANE	SHOOT AGAIN	WEB AWARD 3	WEB AWARD 11	CENTER SKULL LANE
6 Red-Blue J125-7 Q106	STIFF LEVEL 2	THREE BANK MIDDLE	RIGHT LEAPER	SKILL SHOT	LOCK LAMP	WEB AWARD 4	WEB AWARD 12	RIGHT SKULL LANE
7 Red-Violet J125-8 Q101	STIFF LEVEL 1	THREE BANK UPPER	RIGHT RAMP JACKPOT	CRATE JACKPOT	LEFT LOOP CENTER	WEB AWARD 5	WEB AWARD 13	BUY IN
8 Red-Grey J125-9 Q105	RAMP LEFT EYE	SPIDER POPPER	LIGHT SPIN SPIDER	EXTRA BALL	LEFT LOOP UPPER	WEB AWARD 6	WEB AWARD 14	START BUTTON

J1XX = Power Driver Board

SWITCH MATRIX

DEDICATED GROUNDED SWITCHES	Column	White → Green								FLIPPER GROUNDED SWITCHES
		1 Green-Brown J206-1 U20-18	2 Green-Red J206-2 U20-17	3 Green-Orange J206-3 U20-16	4 Green-Yellow J206-4 U20-15	5 Green-Black J206-5 U20-14	6 Green-Blue J206-6 U20-13	7 Green-Violet J206-7 U20-12	8 Green-Grey J206-9 U20-11	
Orange-Brown J205-1 LEFT COIN CHUTE U17-5	1 White-Brown J208-1 U18-11	NOT USED	SLAM TILT	TROUGH EJECT	COFFIN LEFT	LEFT SLING SHOT	THREE BANK UPPER	LEFT SKULL LANE	NOT USED	Black-Green J208-13 Lower Right Flipper E.O.S.
Orange-Red J205-2 CENTER COIN CHUTE U17-7	2 White-Red J208-2 U18-9	WHEEL INDEX	COIN DOOR CLOSED	TROUGH BALL 1	COFFIN CENTER	RIGHT SLING SHOT	THREE BANK MIDDLE	CENTER SKULL LANE	NOT USED	Blue-Violet J212-12 Lower Right Flipper Opto
Orange-Black J205-3 RIGHT COIN CHUTE U17-11	3 White-Orange J208-3 U18-5	START BUTTON	BUY IN BUTTON	TROUGH BALL 2	COFFIN RIGHT	UPPER JET BUMPER	THREE BANK LOWER	RIGHT SKULL LANE	NOT USED	Black-Blue J208-12 Lower Left Flipper E.O.S.
Orange-Yellow J205-4 4 th COIN CHUTE U17-9	4 White-Yellow J208-4 U18-7	PLUMB BOB TILT	ALWAYS CLOSED	TROUGH BALL 3	LEFT RAMP ENTER	CENTER JET BUMPER	LEFT LEAPER	SECRET PASSAGE	NOT USED	Blue-Gray J212-11 Lower Left Flipper Opto
Orange-Green J205-6 U16-9 Normal Function Srv Crdts	5 White-Green J208-5 U19-11	NOT USED	EXTRA BALL LANE	TROUGH BALL 4	RIGHT RAMP ENTER	LOWER JET BUMPER	CENTER LEAPER	NOT USED	NOT USED	Black-Violet J208-11 Upper Right Flipper E.O.S.
Orange-Blue J205-7 U16-11 Normal Function Volume Dn	6 White-Blue J208-7 U19-9	KICK BACK	LEFT FLIPPER LANE	RIGHT POPPER	LEFT RAMP MADE	UPPER SLING SHOT	RIGHT LEAPER	NOT USED	NOT USED	Black-Yellow J212-10 Upper Right Flipper Opto
Orange-Violet J205-8 U16-7 Normal Function Volume Up	7 White-Violet J208-8 U19-5	RIGHT FLIPPER LANE	RIGHT OUTLANE	LEFT KICKOUT	RIGHT RAMP MADE	CRATE SENSOR	LEFT RAMP 10 POINT	NOT USED	NOT USED	Black-Gray J208-10 Upper Left Flipper E.O.S.
Orange-Grey J205-9 U16-5 Normal Function Begin Test	8 White-Grey J208-9 U19-7	SHOOTER LANE	SINGLE STANDUP	CRATE ENTRANCE	COFFIN ENTRANCE	LEFT LOOP	RIGHT LOOP	NOT USED	NOT USED	Black-Blue J212-9 Upper Left Flipper Opto

J2XX = CPU Board = OPTO, TYPICALLY CLOSED